

The Effect of Work Load and Quality Work Life on the Performance of Police Members in Indonesian Police Headquarters Korlantas with Job Satisfaction as Intervening Variables

by Amiruddin K

Submission date: 13-May-2023 08:33AM (UTC+0700)

Submission ID: 2091806100

File name: 85-Article_Text-352-1-10-20201125.pdf (1.04M)

Word count: 9814

Character count: 51726



67

The Effect of Work Load and Quality Work Life on the Performance of Police Members in Indonesian Police Headquarters Korlantas with Job Satisfaction as Intervening Variables

Siska Wirastuti¹, I Ketut R Sudiarditha², Henry Eryanto³, Juhasdi Susono^{4*}, Amiruddin K⁵

^{1,2,3} Universitas Negeri Jakarta, Indonesia

⁴ Sekolah Tinggi Agama Islam Al Furqan Makassar, Indonesia

⁵ Universitas Islam Negeri Alauddin Makassar, Indonesia

Corresponding Author: Juhasdi Susono ✉ juhasdiimm@gmail.com*

ABSTRACT

This article aims to determine the influence of workload and quality of work life on the performance of police officers at Korlantas Police Headquarters with job satisfaction as an intervening variable. The research sample was 249 police officers at Korlantas Mabes Indonesian police. The sample selection method uses probability sampling techniques. Data were collected by distributing questionnaires. The questionnaire used was tested for validity and reliability first, before entering the further analysis stage. Analysis of research data using SEM (Structural Equation Modeling) with processing program AMOS software. The results showed that workload has no effect on job satisfaction and work performance while quality work of life has positive and significant effect on job satisfaction and work performance. Meanwhile, job satisfaction has positive and significant effect on job performance. Job satisfaction has no mediating effect on the relationship between workload and performance of temporary employees job satisfaction was found have a mediating effect on the relationship between quality work of life and employee performance.

Keywords : *Workload, Job Satisfaction, Quality Work Life*

ARTICLE INFO

Article history:

Received
November 17,
2020

Revised
November 22,
2020

Accepted
November 25,
2020

How to cite

Wirastuti, S., Sudiarditha, I., Eryanto, H., Susono, J., & K, Amiruddin. (2020). The Effect of Work Load and Quality Work Life on the Performance Of Police Members in Indonesian Police Headquarters Korlantas with Job Satisfaction as Intervening Variables. *IJoASER (International Journal on Advanced Science, Education, and Religion)*, 3(3), 142-163. <https://doi.org/10.33648/ijoaser.v3i3.85>

Journal Homepage

<https://ojs.staialfurqan.ac.id/IJoASER/>

This is an open access article under the CC BY SA license

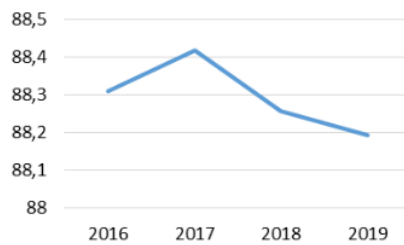
<https://creativecommons.org/licenses/by-sa/4.0/>

INTRODUCTION

The police are one of the state institutions as the front line of guarding the community with the implementation of their duties which are quite heavy and tend to be carried out individually in the field and they are required to be able to make decisions individually in facing real situations. The main duties of the police are tasks that must be carried out or carried out by a police institution, thus the institutional duties carried out by members of the police can be interpreted as a form or type of work that has a large responsibility. Currently, the bureaucratic reform within the National Police is continuing, including instrumental, structural, and cultural reforms.

Instrumental reform will include vehicles and technology to support Indonesian Police's duties in the field. Because it is hoped that Indonesian Police's duties will be better than before, so they must maintain the equipment they have in order to function properly and can help police performance in the field. Then based on Presidential Regulation No.52 dated 4 August 2010 Dit. Then the Police became the Traffic Police Corps (Korlantas Indonesian Police). Korlantas Indonesian Police has a direct position under the Chief of Police, tasked with fostering and carrying out traffic functions including public education, law enforcement, assessing traffic problems, registering and identifying drivers and motorized vehicles as well as road patrols. The existence of Korlantas itself is expected to be able to make drivers and motorized vehicles more organized so that accidents on the road can be avoided. And here is the performance of the Korlantas Indonesian Police for the last 4 years.

Figure 1. Graph of Korlantas Performance

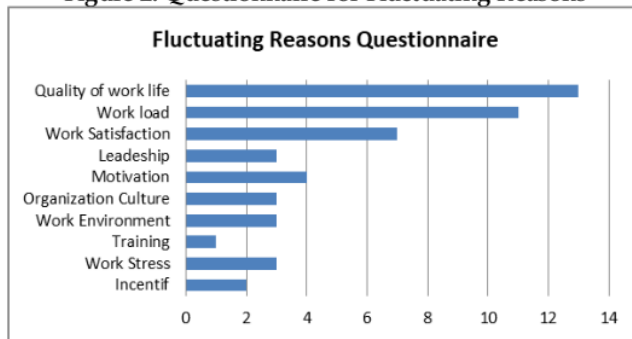


Source: [Korlantas Indonesian Police \(2019\)](#)

45

Based on Figure 1 above, it can be seen that the performance of the traffic police has fluctuated and tended to decline in the last two years, the researcher tried to make an initial questionnaire to find out the reasons behind the fluctuating performance of traffic police at the Traffic Police Corps Headquarters Police.

Figure 2. Questionnaire for Fluctuating Reasons



Source: Researcher Data (2020)

Based on Figure 2 above, the results of the quality work life questionnaire are one of the factors that affect performance. The work environment of traffic police officers at Korlantas, who are mostly on the streets, is one of the causes of quality work life to affect organizational performance. An organization that recognizes the role of human resources and productivity improvement and appreciates the strength of a

workforce that is committed, especially directed at resources and management, to a development environment where workers can contribute to improved performance at maximum capacity. Efforts like this are known as quality work life or employee engagement strategies (Lilian M. de Menezes 2012; Wibowo, 2009). Quality of work life also affects productivity (Kossen, 1993). The thing related to the next performance is the excessive workload of the traffic police at Korlantas. An increased workload sometimes has problems, including employees who are prone to burnout due to the workload. Robbin (2003) Ming-Chun Tsai et.al. (2018), Alfani (2018) stated that positive and negative workload is a problem of perception. Korlantas members who have a high workload are required to work to meet the predetermined targets, namely as an information and communication control center that regulates traffic in Indonesia. But in reality Korlantas members often do work outside of the above work, including (a.) Maintenance of public order, (b) securing demonstrations and vital objects, controlling the masses, negotiating and searching and rescuing (Pasaribu & Indrawati, 2016; Omar Durrah et al., 2016; Wahyuni & Irfani, 2019).

Excess workload and organizational climate that is less conducive will affect employee job satisfaction. High workload has a negative effect on job satisfaction (Mustapha and Ghee, 2013). In addition to the phenomena related to organizational performance, this research is also based on the existence of a number of research gaps, namely: First, previous studies on organizational performance were mostly carried out in other service industries while in the law enforcement industry it was still relatively small (Iskandar & Sembada 2012; Sitepu, 2013; Hersanti et al., 2020). Along with the high accident fatality rate, it is very important to conduct research on the performance of the organization, especially in the law enforcement agencies of the National Police Corps, so that an appropriate strategy can be formulated to improve organizational performance and reduce the number of accidents (Hadi & Rahman 2018; Fathiyah, Firdaus & Putra, 2017). Second, the results of previous studies still show different or inconsistent results for several influences between variables.

Based on the explanation of the background of the problem above, there are differences in the findings and the results of the pre-survey conducted by the researcher, the researcher is interested in researching, reviewing and reconfirming the relationship of each variable to different situations and conditions that are more or less the same and raising the theme "Effect Workload and Quality of Work Life on the Performance of Korlantas at National Police Headquarters with job satisfaction as an intervening variable."

Mangkunegara (2016) stated that the definition of performance is the quality and quantity of work achieved by an employee or an employee in carrying out their duties in accordance with their responsibilities assigned to them. Another opinion explained by Sutrisno (2016) that performance is a person's success in carrying out a task, the work results that can be achieved by a person or group of people in an organization according to their respective authority and responsibility or about how someone is expected to function and behave in accordance with tasks that have been assigned to him and the quantity, quality, and time used in carrying out the task. Based on the definitions of the experts above, it can be concluded that performance is the work achieved by employees in an organization in accordance with the authority and responsibilities given by the organization in an effort to achieve the vision, mission and goals of the organization. Performance is a series of activities that illustrate the extent to which the results achieved by employees in carrying out their duties and responsibilities in the form of public accountability, can be in the form of successes or

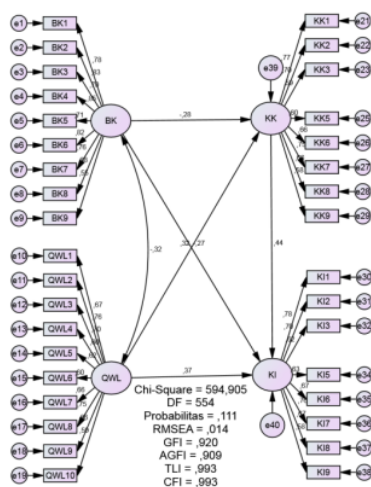
deficiencies that have occurred. The results of a job can be in the form of goods or services and employee performance can be seen from the goods or services produced by the employee.

METHOD

This research has the object of research, namely members of the police on duty at Korlantas Indonesian Police. The variables studied consisted of 4 variables, namely: performance as the dependent variable, workload and work life quality as independent variables and job satisfaction as an intervening variable. The population will be used in this study are members of the Police in the Indonesian National Police Headquarters 2019. The data source of this research is the result of filling out a questionnaire that will be given to members of the Police at the Indonesian National Police Headquarters. According to Hair et al. (1998), the maximum sample size is 10 (ten) times the number of question items (indicators) contained in the questionnaire, so that if the question items are 38, the sample size is $38 \times 10 = 380$ respondents. This number is an initial determination sample only, because if abnormal data appears from the data, the sample size is no longer appropriate. Sampling in this study was carried out by taking random samples from police officers of Korlantas Indonesian Police Headquarters. In this study, the authors use the basis for measuring the performance variables adopted from the study of Prawirosentono (2008), while the workload variable was adopted from the study Hart and Staveland (1988). The measurement of the quality of work life variable was adopted from the research of Walton (1975) in Kanten (2012), while the variable was adopted from Luthans' research (2006).

RESULT AND DISCUSSION

Hubungan Kausalitas



Sumber: Result from Researchers (2020)

Figure 3 Diagram Alur Penelitian

Based on the picture above, the shape in the circle of the research flowchart is an observed variable using a questionnaire, such as the workload variable with 9 indicators BK1, BK2, BK3, BK4, BK5, BK6, BK7, BK8, and BK9. Each of the indicator

items has standard errors e1, e2, e3, e4, e5, e6, e7, e8 and e9. This also applies to constructs - other constructs are formed from each of the indicators. In the variable *quality of work life* with 10 indicator items QWL1, QWL2, QWL3, QWL4, QWL5, QWL6, QWL7, QWL8, QWL9, QWL10 and every 10 indicators there are standard errors e10, e11, e12, e13, e14, e15, e16, e17, e18, e19. On the job satisfaction variable with 8 indicator items KK1, KK2, KK3, KK5, KK6, KK7, KK8, KK9 of the 8 indicators have standard errors of e21, e22, e23, e24, e25, e26, e27, e28 and e29. Whereas the performance variable with 8 indicator items is KI1, KI2, KI3, KI5, KI6, KI7, KI8, KI9 with standard errors of each of the 8 indicators, these are e30, e31, e32, e33, e34, e35, e36, e37, e38. Researchers use the AMOS v.24 software in the AMOS application, the effect of quality is simply depicted in a flowchart and then the program language converts the image into an equation, then the equation becomes an estimate.

Validity and Reliability

Test In testing the validity carried out in this study to determine how appropriate (valid) and whether the statements in this study. The basis for making a decision can be seen by comparing the value of *Corrected Item-Total Correlation* compared to the value of the R Table with a level of 0.05 of 0.139. If the results of *Corrected Item Total Correlation* > 0.139 then the data is valid, and vice versa if the results of *Corrected Item Total Correlation* < 0.139 are invalid data. After doing the validity test, the researcher tested the reliability. By comparing the alpha coefficient value by comparing the results of the *Cronbach's Alpha value* > 0.7, the data is reliable and vice versa. Below are the results of the validity and reliability of this study.

Table 1. Reliability and Validity Test Results of Questionnaire

Constructs / Latent Variable	Reliability ((Cronbach's Alpha/Cronbach's Alpha))	Item (Indicator)	Corrected Item Total Correlation
	0.902	BK1	0.742
	0.899	BK2	0.798
	0.908	BK3	0.663
	0.898	BK4	0.805
Workload	0.907	BK5	0.672
	0.900	BK6	0.784
	0.904	BK7	0.716
	0.909	BK8	0.648
	0.917	BK9	0.516
	0.887	QWL1	0.631
	0.882	QWL2	0.710
	0.885	QWL3	0.659
	0.890	QWL4	0.571

	0.889	QWL5	0.588
Quality of Work Life	0.890	QWL6	0.567
	0.887	QWL7	0.618
	0.883	QWL8	0.702
	0.887	QWL9	0.617
	0.891	QWL10	0.563
	0.884	QWL11	0.674
	0.845	KK1	0.699
	0.850	KK2	0.642
	0.859	KK3	0.546
Job Satisfaction	0.857	KK5	0.560
	0.853	KK6	0.615
	0.846	KK7	0.695
	0.854	KK8	0.599
	0.860	KK9	0.542
	0.852	KI1	0.723
	0.858	KI2	0.656
	0.865	KI3	0.574
	0.865	KI5	0.578
Employee Performance	0.860	KI6	0.636
	0.854	KI7	0.711
	0.862	KI8	0.612
	0.870	KI9	0.521

Source: Processed by Researchers (2020)

Based on the table above shows that all indicators (*observed*) are valid, because the results on the *Corrected Item Total Correlation* > *r* table (0.139). It can be said that all indicators (*observed*) are suitable to be used as indicators of constructs (latent variables). While the reliability results (*Cronbach's alpha*) have a value of > 0.7, it can be concluded that the research variables (constructs) in the form of workload variables, quality of work life, job satisfaction and overall performance are reliable or have high reliability.

Data Normality Test Normality

test is one of the requirements for processing SEM modeling that will be made in this study. In assessing⁴⁸ the normality of the data in this study, it was carried out by looking at the *Asymp Sig* > 0.05, so the data were normally distributed. Following below are the results of the normality test in this study:

Tale 2 Uji Normalitas

		Unstandardized Residual
N		380
Normal Parameters ^{a,b}	Mean	,0000000
	Std. Deviation	2,89048269
Most Extreme Differences	Absolute	,116
	Positive	,065
	Negative	-,116
Kolmogorov-Smirnov Z		2,267
Asymp. Sig. (2-tailed)		,160

a. Test distribution is Normal.

b. Calculated from data.

The results output above, the *Asymp Sig* in this study is $0.16 > 0.05$, it can be assumed that the data is normally distributed, and meets the requirements for further testing.

Hypothesis

Test Test Explanatory Factor⁷⁴ analysis (EFA)

in factor analysis aims to determine how much influence the independent variables have on the dependent variable. As a basis for decision making, it can be seen in the output value of the *Kaiser Mayer Olkin Measure of Sampling Adequacy* (KMO MSA) and the significant value on the *Bartlett's Test of Sphericity*. Based on the results of the KMO MSA value in the study below, it is $0.94 > 0.50$ and a significant value of $0.00 < 0.05$. So overall data analysis in this study can be continued because it has met the first requirements. Below is the KMO MSA results in this study are:

Test *Confirmatory Factor Analysis* (CFA) test the validity of this study were tested using AMOS program to view a table of output estimate by comparing the p-value with an alpha of 0.05, when the results of p-value is denoted by *** or ≤ 0.05 then the indicator is declared valid. Besides being able to compare the p-value with alpha, the CFA can be seen in the CFI output results > 0.90 so the data is valid. Then it can be seen in the GFI output results > 0.90, the data is declared valid, it can also be seen in the TLI output results > 0.90, the data is declared valid and RMSEA < 0.05 the data is declared valid.

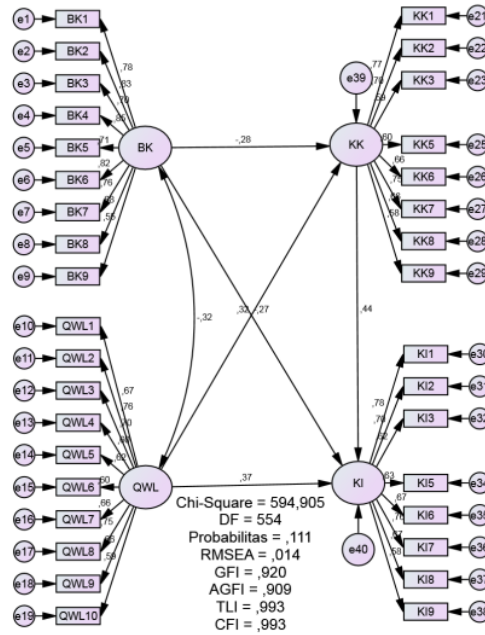


Figure 4 Confirmatory Factor Analysis (Full Model)

The results of the image above are the results of testing for *Confirmatory Factor Analysis* using AMOS, based on the results above indicate that the constructs in this research model are fit. It can be seen from the results of the P Value, CMIN, RMSEA, GFI, TLI and CFI. Here below are the results output in the table estimate in this study:

Table 3 Model Fit Summary CMIN & P Value

Model	NPAR	CMIN	DF	P	CMIN/DF
Default model	76	594,905	554	,111	1,074
Saturated model	630	,000	0		
Independence model	35	6489,605	595	,000	10,907

Based on the results of the table above, it shows the P value of $0.11 > 0.05$, so the model in the study is declared fit, according to the basis for decision making. While the CMIN results in this study were 1.07. To strengthen the model in research, it can be seen from the GFI results.

Table 4 Model Fit Summary GFI

Model	RMR	GFI	AGFI	PGFI
Default model	,026	,920	,909	,809
Saturated model	,000	1,000		
Independence model	,205	,230	,185	,217

The output above shows that the GFI value is $0.92 > 0,90$, it can be concluded that the model in the study is declared fit, in accordance with the basis for decision making, in

addition to seeing how fit the model in research can look at the results of the TLI output and CFI

Table 5 Model Fit Summary TLI & CFI

Model	NFI	RFI	IFI	TLI	CFI
	Delta1	rho1	Delta2	rho2	
Default model	,908	,902	,993	,993	,993
Saturated model	1,000		1,000		1,000
Independence model	,000	,000	,000	,000	,000

From the results output above shows that the TLI value is 0.99 > 0.90 and the results of the CFI value are 0.99 > 0.90, which means that the model in the study is declared fit, because it is in accordance with the basis for decision making. To strengthen this research, it can be seen that the RMSEA value in this study.

Table 6 Model Fit Summary RMSEA

Model	RMSEA	LO 90	HI 90	PCLOSE
Default model	,014	,000	,022	1,000
Independence model	,162	,158	,165	,000

Overall that the model in the study is fit, but to strengthen a study it can be seen In the RMSEA results, the RMSEA results are 0.01 < 0.05, it can be concluded that the model in the study is fit and meets the requirements.

a. Causality Analysis (Structural Equations)

Estimation analysis is carried out in order to know and analyze the full model to see the suitability in the research model and the causality relationship built into the model being tested. The following is the result of the Full Model in this study:

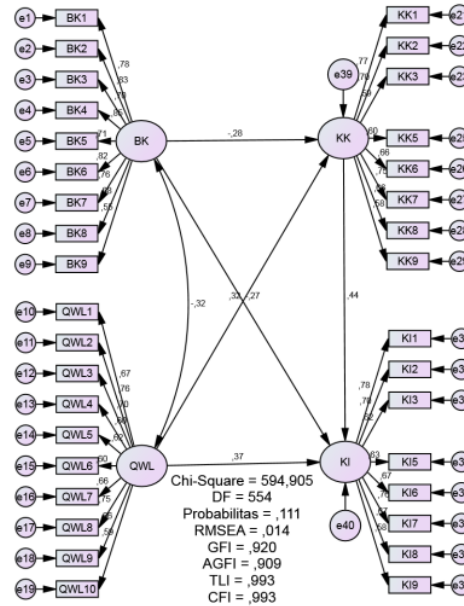


Figure 5 Results of Structural Equation Analysis

b. Evaluasi Kriteria Ketetapan Model (*Goodness of Fit Model*)

From the above image of testing the suitability of the model is evaluated through a review of the various criteria goodness of fit model, to measure in evaluating this criterion along with the limit value (cut value) as follows:

Table 7 Test Accuracy Model

Goodness of Fit Index	Cut of Value	Estimation Results	Description
Chi-Square	expected to be small expected to be small	594,90	Fit Model
P-Value	>0,05	0,111	Fit Model
CMIN/DF	<2,00	1,704	Fit Model
GFI	>0,90	0,92	Fit Model
RMSEA	<0,08	0,01	Fit Model
TLI	>0,90	0,99	Fit Model
AGFI	>0,90	0,90	Fit Model
CFI	>0,90	0,99	Fit Model

From the output above states that the results of the Chi-Square value are 594.90 with a P value of 0.11 > 0.05, it can be concluded that the probability value meets the recommended standard value so that the model is fit. The GFI value is 0.90 > 0.90 then the RMSEA value is 0.01 < 0.05, then the TLI value is 0.99 > 0.90 and the CFI value is 0.99 > 0.90. It can be concluded that the results of the analysis are marginally feasible.

a. Hypothesis testing.

Testing is done by looking at the value Critical Ratio in the table below:

Table 8 Hypothesis Test

		Estimate	S.E.	C.R.	P	Label
KK	<--- BK	-,211	,044	-4,842	***	
KK	<--- QWL	,315	,059	5,310	***	
KI	<--- BK	-,203	,034	-6,027	***	
KI	<--- QWL	,357	,049	7,254	***	
KI	<--- KK	,429	,052	8,322	***	
BK1	<--- BK	1,000				
BK2	<--- BK	,952	,054	17,633	***	
BK3	<--- BK	,899	,063	14,187	***	
BK4	<--- BK	1,048	,058	18,172	***	
BK5	<--- BK	,807	,056	14,494	***	
BK6	<--- BK	,861	,050	17,303	***	
BK7	<--- BK	,853	,054	15,662	***	
BK8	<--- BK	,710	,051	13,836	***	
BK9	<--- BK	,630	,058	10,772	***	
QWL1	<--- QWL	1,000				
QWL2	<--- QWL	,971	,074	13,042	***	
QWL3	<--- QWL	,889	,073	12,127	***	
QWL4	<--- QWL	,819	,077	10,640	***	
QWL5	<--- QWL	,898	,082	10,951	***	

			Estimate	S.E.	C.R.	P	Label
QWL6	<---	QWL	,760	,072	10,560	***	
QWL7	<---	QWL	,829	,072	11,534	***	
QWL8	<---	QWL	,923	,072	12,875	***	
QWL9	<---	QWL	,911	,079	11,488	***	
3 QWL10	<---	40 QWL	,845	,081	10,479	***	
KK1	<---	KK	1,000				
KK2	<---	KK	,901	,067	13,412	***	
KK3	<---	KK	,801	,072	11,189	***	
KK5	<---	KK	,772	,068	11,354	***	
KK6	<---	KK	,849	,067	12,595	***	
KK7	<---	KK	,949	,065	14,650	***	
KK8	<---	KK	,930	,073	12,660	***	
3 KK9	<---	KK	,842	,076	11,045	***	
KI1	<---	KI	1,000				
KI2	<---	KI	,902	,064	14,002	***	
KI3	<---	KI	,834	,069	12,044	***	
KI5	<---	KI	,808	,065	12,380	***	
KI6	<---	KI	,859	,065	13,303	***	
KI7	<---	KI	,950	,062	15,348	***	
KI8	<---	KI	,943	,071	13,267	***	
KI9	<---	KI	,817	,072	11,290	***	

1) Hypothesis 1

The value of the *critical ratio* of workload to job satisfaction is $4.84 > 1.96$, thus that the workload variable has a significant effect on job satisfaction indirectly. It can be concluded that hypothesis 1 states that a significant effect of workload on job satisfaction is acceptable.

2) Hypothesis 2

The *critical ratio value quality of work life* on job satisfaction is $5.31 > 1.96$, thus that the variable *quality of work life* has a significant effect on job satisfaction. It can be concluded that hypothesis 2 states that the significant influence *quality of work life on job satisfaction* is acceptable.

3) Hypothesis 3

The value of *critical ratio workload* to employee performance is $6.02 > 1.96$, thus, the workload variable has a significant effect on employee performance. It can be concluded that hypothesis 3 states that a significant effect of workload on employee performance is acceptable.

4) Hypothesis 4

The *critical ratio quality of work life* on employee performance is $7.25 > 1.96$, thus that the variable *quality of work life* has a significant effect on employee performance. It can be concluded that hypothesis 4 states that the significant influence of the *quality of work life* variable on employee performance variables is acceptable.

5) Hypothesis 5

The value of *critical ratio job satisfaction* to employee performance is $7.25 > 1.96$, so that the job satisfaction variable has a significant effect on performance. It can be concluded

that hypothesis 5 states that there is a significant effect of job satisfaction on performance is acceptable.

Direct and Indirect Effects

a. Direct Effect (Direct Effect) Direct effect

It is the effect indicated by one arrow on the diagram and in accordance with the given hypothesis. Below is a direct influence on this research model:

Table 9. Direct Effect

	BK	QWL	KK	KI
KK	0,276	0,320	0,000	0,000
KI	0,271	0,370	0,438	0,000

From the table above shows that the direct effect of workload on job satisfaction is 0.276 while the effect of workload on job satisfaction is 0.320, the effect of workload on employee performance is 0.271, the effect of quality of work life on employee performance is 0.370 and the effect of job satisfaction on employee performance is 0.438.

a. Indirect Effect

Table 10. Indirect Effect

	BK	QWL	KK	KI
KK	0,000	0,000	0,000	0,000
KI	0,121	0,140	0,000	0,000

Based on the results of the table above, the workload variable has an indirect effect on the employee performance variable of 0.121 and there is also an indirect influence of the variable quality of work life on employee performance of 0.140. This can prove that the effect of quality of work life on employee performance through job satisfaction is higher than the effect of workload on performance through job satisfaction (0.140 > 0.121).

c. Total Effect

It is a sum of the results of the direct and indirect effects contained in the research model. Below are the results of the total influence on the research model:

Table 11 Total Effect

	BK	QWL	KK	KI
KK	0,276	0,320	0,000	0,000
KI	0,392	0,510	0,438	0,000
Jumlah	0,668	0,83	0,438	0,000

Based on the table above, the results of workload have a total effect on Job Satisfaction of 0.276 and workload has an influence on employee performance of 0.392 so that the total value reaches 0.668. While the results of quality of work life have a total effect on job satisfaction of 0.320 and quality of work life on employee performance is 0.510, the total value is 0.83 and the results of job satisfaction have a total effect on employee performance of 0.438. Based on the analysis that has been done above, a score counting towards the R-Square (R²) which indicates how well the model of the proposed research. From the results of the calculation (R²), it is known that endogenous variables job satisfaction can be explained by the exogenous variables, namely the workload and quality of work life for 0.501 (50.1%) while the remaining 49.9% is explained by other exogenous variables. While the coefficient of determination of the endogenous construct of employee performance is 0.543. These results indicate

that the endogenous variables of employee performance can be explained by exogenous variables, namely workload, Quality of Work Life and job satisfaction of 0.543 (54.3%) while the remaining 45.7% is explained by other exogenous variables outside of this study.

In addition, the research model were found to have several GOF categories or the model's due diligence value showed a fit model in the RMSEA, CMIN / DF, GFI, AGFI and TLI categories. Therefore, it can be concluded that the model as a whole can be said to be categorized as goodness of fit and marginal fit, it can be concluded that statistically the value can support according to the established fit model. Data analysis has been carried out from the conceptualization stage of the model to testing the research hypothesis. The results of the analysis can show how the role of mediation is played by job satisfaction on the relationship between workload and quality of work life and employee performance. Effect of Workload on Job Satisfaction. Based on the test results, it was found that the work satisfaction variable had a significant effect, this was because a load in the work carried out on the personnel of the National Police Headquarters was high, it would affect the satisfaction of employees. Effect of Quality of Work Life on Job Satisfaction.

Based on the test results, it was found that the quality of work life has a positive and significant effect on job satisfaction. It can be concluded that the higher the quality of work life provided, the higher the job satisfaction of Korlantas personnel at National Police Headquarters. According to Siagian (1996), the quality of work life is a systematic effort in organizational life through workers who are also given the opportunity to find their way of working and what they provide to the organization in order to achieve its goals and objectives. The results of this study strengthen the research conducted by Sulistyowati (2019) and Santhi and Mujiati (2017) who found that quality of work life has an effect on job satisfaction. Effect of Workload on Employee Performance.

Based on the test results, it was found that workload had an influence on work performance. It can be concluded that in a company, if the workload increases, this will affect the performance of the National Police Headquarters Korlantas employee. Polri recognizes the principle of structural loyalty and a hierarchy of command. Where the Police will remain subject to leadership, subject to hierarchy. Even though the given workload is high, it will affect the work performance of the Police Headquarters personnel.

Effect of Quality of Work Life on Employee Performance

Based on the test results, it was found that the quality of work life has a positive and significant effect on employee performance. It can be concluded that the higher the quality of work life provided, the higher the employee performance of Korlantas personnel at the National Police Headquarters. The results of this study reinforce the research conducted by Ainul & Rahman (2020), Alfani (2018) who found that quality of work life has an effect on employee performance.

Influence Job Satisfaction on Employee Performance.

Based on the test results, it was found that job satisfaction has a positive and significant effect on job performance. It can be concluded that the higher the existing job satisfaction, the higher the employee performance of Korlantas personnel at the National Police Headquarters. The results of this study reinforce the research conducted by Tsai et al. (2018) and Durratun et al. (2016) who found that job satisfaction has an effect on employee performance.

Effect of Workload on Employee Performance through Job Satisfaction as an intervening variable.

Based on the test results in this study, it was found that the intervening variable or job satisfaction variable bridges the indirect effect of the workload variable (X) on employee performance (Y). Thus it can be formulated that "The higher the workload on employees of the Korlantas personnel at the Indonesian Police Headquarters, the job satisfaction will be achieved in accordance with the predetermined vision and mission. If the higher the job satisfaction, the employee's performance will be better. The influence of Quality of Work Life on Employee Performance through Job Satisfaction as an intervening variable.

Based on the results of research that has been done, that job satisfaction bridges the indirect influence of the variable quality of work life (X) on employee performance (Y). It can be concluded that if the quality of work life of the employees of the National Police Corps of the Republic of Indonesia is getting higher, the employees will feel job satisfaction, and the higher the job satisfaction, the employees will improve their performance in work. This hypothesis testing stage is carried out after the structural model evaluation stage is carried out. This stage is carried out to determine whether the research hypothesis proposed in the research model is accepted or rejected. To test the proposed hypothesis, it can be seen from the estimated value, the critical ratio value and the P-Value.

The results of testing the first hypothesis show a p-value of $0.846 > 0.05$, so these results indicate that H_0 is supported and H_a is not supported, which means that there is no influence between workload on job satisfaction. The estimate value was found to be 0.007 (positive effect) while the critical ratio (CR) value was $0.194 < 1.96$. These results prove that the first hypothesis is rejected. The results of testing the second hypothesis show a p-value of $0.000 < 0.05$, so these results indicate that H_0 is not supported and H_a is supported, which means that there is an influence between quality work of life on job satisfaction. The estimate value was found to be 0.524 (positive effect) while the critical ratio (CR) value was $8.349 > 1.96$. These results prove that the second hypothesis is accepted.

The results of testing the third hypothesis show a p-value of $1.485 > 0.05$, so these results indicate that H_0 is supported and H_a is not supported, which means that there is no influence between workload on employee performance. The estimate value was found to be 0.058 (positive effect) while the critical ratio (CR) value was $1.485 < 1.96$. These results prove that the third hypothesis is rejected. The results of testing the fourth hypothesis show a p-value of $0.000 < 0.05$, so these results indicate that H_0 is not supported and H_a is supported, which means that there is an influence between quality work of life on job satisfaction. The estimate value was found to be 0.332 (positive effect) while the critical ratio (CR) value was $5.471 > 1.96$. These results prove that the fourth hypothesis is accepted. The results of testing the fifth hypothesis show a p-value of $0.000 < 0.05$, so these results indicate that H_0 is not supported and H_a is supported, which means that there is an influence between job satisfaction and job satisfaction. The estimate value was found to be 0.445 (positive effect) while the critical ratio (CR) value was $4.983 > 1.96$. These results prove that the fifth hypothesis is accepted.

Indirect hypothesis testing or mediation is carried out by the method developed by Sobel (1982) and is known as the Sobel test (Ghozali, 2011). The Sobel test is done by testing the strength of the indirect effect of the independent variable on the dependent. The results of the sixth hypothesis testing through the sobel test showed that the sobel

p-value was $0.845 > 0.05$ ($\alpha = 10\%$), the aroian was $0.848 > 0.05$ ($\alpha = 10\%$) and the goodment test was $0.842 > 0.05$ ($\alpha = 10\%$), then These results indicate that H_0 is supported and H_a is not supported, which means that job satisfaction does not mediate the relationship between workload and employee performance.

The results of the seventh hypothesis testing through the sobel test showed that the sobel p-value was $0.000 > 0.05$ ($\alpha = 10\%$), the aroian was $0.000 > 0.05$ ($\alpha = 10\%$) and the goodment test was $0.000 > 0.05$ ($\alpha = 10\%$), then these results indicate that H_0 is not supported and H_a is supported, which means that job satisfaction mediates the relationship between quality work of life and employee performance. Job satisfaction is a pleasant emotional state or general attitude towards differences in rewards received on job indicators, adjustment and individual social relations outside of work (Gitosudarmo, 1997). Cormick & Ilgen (1980) stated that job satisfaction is a person's attitude towards their job. In other words, job satisfaction is a person's affective response to work. Another view of job satisfaction is that the individual calculates the extent to which the job produces valuable results. It is assumed that individuals have a number of judgments about how much they value certain outcomes such as salary, promotion or good working conditions. Meshkati in Hariyati (2011) states that workload is a difference between the capacity or ability of workers and the job demands that must be faced. Considering that human work is mental and physical, each has a different level of burden. The loading level that is too high allows excessive energy use and overstress, on the other hand, the intensity of the loading is too low to allow boredom and boredom. Therefore it is necessary to strive for an optimum level of intensity of loading that exists between the two extreme limits and of course it differs from one individual to another. Workload is influenced by job satisfaction. High workload has a negative effect on job satisfaction Mustapha & Ghee (2013). In the research of Mustafa (2013) states that job satisfaction affects daily workload, employees are more satisfied when they are given a lower workload. Research conducted by Yo and Surya (2015) entitled "The Effect of Workload on Job Satisfaction with Job Stress as an Intervening Variable". This research was conducted at PT. Lian Abadi Denpasar with 55 respondents. Path analysis used in hypothesis analysis. The purpose of this study was to determine the influence of workload on satisfaction with stress as an intervening variable. The result of this study is that workload has a negative effect on employee satisfaction. Research conducted by Abbasi (2015) entitled "Impact work Overload on Stress, Job Satisfaction, and Turnover Intentions with Moderating Role of Islamic Work Ethics". This research was conducted at PT. Azad Jammu and Kashmir with a sample of 123. The aim of the study was to see the effect of excessive workloads dilemma in almost every industrial sector. The result of this research is workload has a negative effect on employee job satisfaction. According to Harold et al. (1990) Quality work life is a systems approach to job design and development in a broad scope, especially in job enrichment. This quality work life approach is combined with a socio-ethnic systems approach in management. Therefore, quality work life is not only an approach to job enrichment but also a multidisciplinary field and a combination of industrial and psychological disciplines, industrial engineering, organizational theory, motivation, leadership, and industrial relations. Research conducted by Bektı (2018) entitled "The Effect of Quality of Work Life on Job Satisfaction of Employees at X Hospital Surabaya". The population in this study were all employees who worked at X Hospital Surabaya. The sample size was calculated using the simple random sampling method from Lemeshow. The results of the calculation were obtained as many as 57 respondents. The determination of the sample

size for each work unit was obtained by using the proportional random sampling method. The results of this study state that the quality of work life affects job satisfaction. Research conducted by Lefiandra and Suwarsi (2019) entitled "The Effect Of Quality work life On Employee Job Satisfaction (Case Studies of PT. Bank Mandiri (Persero) Tbk, Bandung)". This study used a sample of 50 people using field research data collection techniques and library research. The results of this study explain that the quality of work life affects employee satisfaction. Based on references from previous research journals and also adapted to the conditions of the research object, the hypothesis proposed in this study are:

- H1 : Workload has positive and significant effect on job satisfaction.
- H2 : Quality work life has positive and significant effect on job satisfaction.
- H3 : Workload has positive and significant effect on performance.
- H4 : Quality work life has positive and significant effect on performance.
- H5 : Satisfaction has positive and significant effect on performance.
- H6 : Workload has positive and significant effect on performance through job satisfaction.
- H7 : Quality work life has positive and significant effect on performance through job satisfaction.

Data analysis has been carried out from the conceptualization stage of the model to testing the research hypothesis. The results of the analysis can show how the role of mediation is played by job satisfaction on the relationship between workload and quality of work of life and employee performance. The Effect of Workload on Job Satisfaction. Based on the test results, it was found that workload has no effect on job satisfaction. It can be concluded that the increase or decrease in workload does not affect the job satisfaction of Korlantas personnel at the National Police Headquarters. Even though the given workload is high, it will not affect the job satisfaction of the Police Headquarters personnel (Sewell & 2015). The results of this study reinforce research conducted by Nadeem (2009) who found that workload does not affect employee job satisfaction. The Effect of Quality Work of Life on Job Satisfaction Based on the test results, it was found that the quality of work of life has a positive and significant effect on job satisfaction. It can be concluded that the higher the quality of work life provided, the higher the job satisfaction of Korlantas personnel at National Police Headquarters (Noor & Abdullah, 2012). According to Siagian (1996), the quality of work life is a systematic effort in organizational life through workers who are also given the opportunity to find their way of working and that they provide to the organization in order to achieve its goals and objectives. The results of this study strengthen the research conducted by Sulistyowati (2019) and Santhi & Mujiati (2017) who found that quality work of life has an effect on job satisfaction. The Effect of Workload on Employee Performance. Based on the test results, it was found that workload had no effect on work performance. It can be concluded that the increase or decrease in workload does not affect the performance of employees of Korlantas personnel at the National Police Headquarters.

Indonesian Police recognizes the principle of structural loyalty and a hierarchy of command that the Police will remain subject to leadership, subject to hierarchy. Even though the given workload is high, it will not affect the work performance of the Police Headquarters personnel. The results of this study reinforce the research conducted by Qoyima et al., (2019) and Chandra & Adriansyah (2017) who found that workload does not affect employee performance. The Effect of Quality Work of Life on Employee

Performance. Based on the test results, it was found that the quality of work of life has a positive and significant effect on work performance. It can be concluded that the higher the quality of work life provided, the higher the employee performance of Korlantas personnel at the National Police Headquarters. The results of this study reinforce the research conducted by Ainul & Rahman (2020) and Alfani (2018) who found that quality work of life affects employee performance. The Effect of Job Satisfaction Employee Performance Based on the test results, it was found that job satisfaction has a positive and significant effect on job performance. It can be concluded that the higher the existing job satisfaction, the higher the employee performance of Korlantas personnel at the National Police Headquarters. The results of this study reinforce the research conducted by Tsail et al. (2018) and Durrah et al. (2016) who found that job satisfaction has an effect on employee performance. The Effect of Workload Employee Performance through Employee Satisfaction. Based on the test results on the mediating effect of job satisfaction on the relationship between workload and employee performance, it was found that job satisfaction did not have a mediating effect. Whether or not job satisfaction exists in the relationship between workload and employee performance has no effect and is not a connecting variable between endogenous and exogenous variables. The results of this study contradict research conducted by Lukiyana & Firdaus (2017) which found that job satisfaction can mediate the relationship between workload and performance. The Effect of Quality Work of Life Employee Performance through Employee Satisfaction. Based on the test result on the mediating effect of job satisfaction on the relationship between the quality work of life on employee performance, it is found that job satisfaction has a mediating effect. With the support of job satisfaction in the relationship of quality work of life to employee performance, it is able to encourage increased employee performance and is a connecting variable between endogenous and exogenous variables. The results of this study are in line with research conducted by Sari, Bendesa and Antara (2019) who found that job satisfaction can mediate the relationship between quality work of life and performance.

CONCLUSIONS

Based on the results of hypothesis testing and the discussion stated in the previous chapter, several conclusions can be obtained as follows: The workload has no effect on job satisfaction of the personnel of the National Police Headquarters Traffic Corps. This proves that the workload factor that exists does not have a direct role in encouraging job satisfaction of personnel from Korlantas at the National Police Headquarters. Quality work of life has positive and significant effect on job satisfaction of personnel from the National Police Headquarters Corps. This proves that the existing work of life quality factor has a direct role in encouraging job satisfaction of the personnel of Korlantas at the National Police Headquarters. The workload has no effect on the performance of the personnel of the Police Headquarters Korlantas personnel. This proves that the existing workload factor does not have a direct role in encouraging the performance of employees of Korlantas personnel at the National Police Headquarters. Quality work of life has positive and significant effect on job satisfaction personnel Korlantas Police Headquarters. This proves that the work of life quality factor that exists has a direct role in encouraging the performance of employees of Korlantas personnel at the National Police Headquarters. Job satisfaction has positive and significant effect on job satisfaction of the personnel of Korlantas at the National Police Headquarters. This proves that the work of life quality factor that exists

has a direct role in encouraging the performance of employees of Korlantas personnel at the National Police Headquarters. Job satisfaction does not mediate the relationship between workload and employee performance. This proves that the job satisfaction factor of Korlantas personnel at National Police Headquarters does not have a direct role in driving workloads with employee performance. Job satisfaction mediates the relationship between quality work of life and employee performance. This proves that the job satisfaction factor of Korlantas personnel at National Police Headquarters has a direct role in encouraging quality work of life with employee performance. Researchers suggest to further researchers to add other exogenous variables outside of this study. Given the value of R-Square (R²) for endogenous variables customer satisfaction is still at 50.1% and endogenous variables employee performance is 54.3%. It is expected that by adding other variables, the coefficient of determination can increase.

ACKNOWLEDGEMENTS

The researchers expressed our gratitude and appreciation for the trust that has been given by Universitas Negeri Jakarta.

AUTHOR CONTRIBUTION STATEMENTS

First author had contribution for collecting data in this research. Corresponding author was a corresponding person with editor, from submission until publish for this article. Another authors help to improve this research paper before submit to journal.

REFERENCES

- Abbasi, I. S., & Alghamdi, N. G. (2015). The Prevalence, Predictors, Causes, Treatments, and Implications of Procrastination Behaviors in General, Academic, and Work Setting. *International Journal of Psychological Studies*, 7 (1), 59-66. [Google Scholar](#)
- Adityawarman, Sanim, Sinaga (2015). Jurnal Manajemen dan Organisasi Vol.VI No.1 Pengaruh Beban Kerja Terhadap Kinerja Karyawan PT. Bank Rakyat Indonesia (persero) Tbk Cabang Krekot. <https://doi.org/10.29244/jmo.v6i1.12182>
- Agripa Toar Sitepu (2013), Beban Kerja Dan Motivasi Pengaruhnya Terhadap Kinerja Karyawan Pada Pt. Bank Tabungan Negara Tbk Cabang Manado, Fakultas Ekonomi dan Bisnis, Jurusan Manajemen, ISSN 2303-1174 Vol.1 No.4. <https://doi.org/10.35794/emba.v1i4.2871>
- Ahmad, Komarudin. 1996. Dasar-dasar Manajemen Investasi. Jakarta : Rineka. Cipta.
- Ainul Hadi, H. R. (2018). Pengaruh Psychological Capital Terhadap Kinerja Dan Turnover Intention Karyawan Ngo X Dengan Quality Of Work Life Sebagai Variabel Mediasi. *Ilmiah Mahasiswa Ekonomi Manajemen, Vol. 3, No.* <https://doi.org/10.24815/jimen.v3i4.9792>
- Ainul Hadi, H. R. (2020). Analisis Pengaruh Quality Of Work Life, Motivasi Berprestasi Dan Kepemimpinan Transformasional Terhadap Kinerja Guru. *Inovasi Pembelajaran Karakter (JIPK), Vol. 5, No.* [Google Scholar](#)
- Al., M.-C. T. et. (2010). Drivers of hospitality industry employees job satisfaction, organizational commitment and job performance. *African Journal of Business Management.* <https://doi.org/10.5897/AJBM.9000227>
- Alfani, H. M. (2018). Analisis Pengaruh Quality Of Work Life (QWL) Terhadap Kinerja Dan Kepuasan Kerja Karyawan PT. Bank BRI Syariah Cabang Pekanbaru. *Jurnal Tabarru' : Islamic Banking and Finance, I(I).* [https://doi.org/10.25299/jtb.2018.vol1\(1\).2039](https://doi.org/10.25299/jtb.2018.vol1(1).2039)

- Alfani, M. H. (2018). Analisis Pengaruh Quality Of Work Life (QWL) Terhadap Kinerja dan Kepuasan Kerja Karyawan PT. Bank BRI Syariah Cabang Pekanbaru. *Jurnal Tabarru': Islamic Banking and Finance*. [https://doi.org/10.25299/jtb.2018.vol1\(1\).2039](https://doi.org/10.25299/jtb.2018.vol1(1).2039)
- Ali, M. B. 2002. Kamus Bahasa Indonesia, Penabur Ilmu, Bandung, Googe Scholar
- Almadina Nurfitri Lefiandra, S. S. (2019). *Pengaruh Kualitas Hidup Kerja (Quality Of Work Life) Terhadap Kepuasan Kerja (Studi Kasus pada PT. Bank Mandiri (Persero) TBK, Bandung)*.
- Altaf, A., & Awan, M. A. 2011. Moderating affect of workplace spirituality on the relationship of job overload and job satisfaction. *Journal of business ethics*, 104(1).
- Bekti, R. R. (2018). Pengaruh Kualitas Kehidupan Kerja Terhadap Kepuasan Kerja Karyawan Rumah Sakit Ibu dan Anak X Surabaya. *Jurnal Administrasi Kesehatan Indonesia*. <https://doi.org/10.20473/jaki.v6i2.2018.156-163>
- Brown, S. P., Jones, E., & Leigh, T. W. (2005). The Attenuating Effect of Role Overload on Relationship Linking Self-Efficacy and Goal Level to Work Performance. *Journal of Applied Psychology*, 90(5) 972-979.
- Budiyarti, 2007, Manajemen Kinerja, Rajawali Pers, Jakarta.
- Cascio Wayne, 2001, Motivation and Personality, American Management Association, New York.
- Church, A. H. (1995). *Managerial behaviors and work group climate as predictors of employee outcomes*.
- Clifford P. McCue and Gerasimos A. Gianakis, 1997, "The Relationship Between Job Satisfaction and Performance, The Case Local Government Finance Officers in Ohio", *Public Productivity & Management Review*, Vol 21 No. 2 December.
- Colquitt. Jason. A, Lepine. Jeffery. A dan Wesson. Michael. J. 2015. *Organizational Behavior*, 4 thed, McGraw – Hill Education, United States of America.
- de Menezes, L. M. (2012). Job satisfaction and quality management: An empirical analysis. *International Journal of Operations and Production Management*. <https://doi.org/10.1108/01443571211212592>
- Dessi Wahyu Hersanti, Gunistiyo, D. N. R. (2020). Analisis Pengaruh Quality of Work Life, Motivasi Berprestasi dan Kepemimpinan Transformasional Terhadap Kinerja Guru. *Inovasi Pembelajaran Karakter (JIPK)*, Vol. 5, No.
- Dessler, Gary. 2015. *Manajemen Sumber Daya Manusia*. Jakarta: Salemba Empat.
- Dole, Carol and Schroeder, Richard G., 2001, The Impact of Varios Factors on the Personality, Job Satisfaction and Turn Over Intention of Profesional Accountants, *Managerial Auditing Journal*, Vol. 16 No.4 pp 234-245.
- Drivers of hospitality industry employees job satisfaction, organizational commitment and job performance. (2010). *African Journal of Business Management*.
- Durrah, O., Alhamoud, A., & Khan, K. (2016). Positive psychological capital and job performance: The mediating role of job satisfaction. *Ponte*. <https://doi.org/10.21506/j.ponte.2016.7.17>
- Durrah, Omar dkk. 2016. Exploring the Relationship between Liquidity Ratios and Indicators of Financial Performance: An Analytical Study on Food Industrial Companies Listed in Amman Bursa. *International Journal of Economics and financial Issues*. Vol. 6, No.2
- Durrah, Omar, Abdul Aziz Abdul Rahman, Syed Ahsan Jamil, and Nour Aldeen Ghafeer. 2016. "Exploring the Relationship between Liquidity Ratios and Indicators of Financial Performance: An Analytical Study on Food Industrial

- Companies Listed in Amman Bursa." *International Journal of Economics and Financial Issues* 6(2): 435-41.
- Eko Nurmianto, Nurhadi Siswanto. 2006. Perancangan Penilaian Kinerja Karyawan Berdasarkan Kompetensi Spencer Dengan Metode Analytical Hierarchy Process. *Jurnal teknik industri* vol. 8, no. 1, juni 2006: 40-53.
- Engko, Cecilia. 2008. "Pengaruh Kepuasan Kerja Terhadap Kinerja Individual Dengan Self Esteem dan Self Efficacy Sebagai Variabel Intervening". *Jurnal Bisnis dan Akuntansi* Vol. 10, No. 1, April.
- Essiam, J., Mensah, M. E., Kudu, L. K., & Gyamfi, G. D. (2015). Influence of Job Stress on Job Satisfaction Among University Staff : Analytical Evidence From a Public University in Ghana. *International Journal of Economics, Commerce and Management*, 3(2), 1-15.
- Firdaus, Ahmad Fathiyah dan Alex Kurnia Putra. 2017. Pengaruh komitmen kerja dan quality of work life terhadap kepuasan kerja dan dampaknya terhadap kinerja karyawan. *Jurnal MAS* Vol. 2 No. 1 Hal. 105-120.
- Fred Luthans, (2006), *Perilaku Organisasi*. Edisi Sepuluh, PT. Andi: Yogyakarta.
- Gahlan, H. A., Azer, M. K., & Khalil, A. E. S. (2015). The Neoproterozoic Abu Dahr ophiolite, South Eastern Desert, Egypt: petrological characteristics and tectonomagmatic evolution. *Mineralogy and Petrology*. <https://doi.org/10.1007/s00710-015-0397-z>
- Gitosudarmo, Indriyo dan Sudita, I Nyoman. 1997, *Perilaku Keorganisasian*, Yogyakarta : BPFE.
- Greogy Moorhead dan Ricky W. Griffin. 2013. " Perilaku Organisasi Manajemen Sumber Daya Manusia dan Organisasi " edisi 9. Jakarta. Salemba empat.
- Hadi1, A., & Hafiz Rahman2. (2018). Pengaruh Psychological Capital Terhadap Kinerja dan Turnover Intention Karyawan Ngo X Dengan Quality of Work Life sebagai Variabel Mediasi. *Ilmiah Mahasiswa Ekonomi Manajemen, Vol. 3, No.*
- Hair et al., (1998), *Multivariate Data Analysis, Fifth Edition*, Prentice Hall, Upper Saddle River : New Jersey.
- Hannani, A., Muzakkir, & Ilyas, G. B. (2016). Pengaruh Beban Kerja, Kepuasan, Dan Fasilitas Terhadap Kinerja Perawat Di Ruang Perawatan Mawar Lantai II RSU Wisata UIT Makassar. *Jurnal Mirai Management*.
- Hart, S. G., & Staveland, L. E. (1981). Development of NASA-TLX (Task Load Index Results of Empirical and Theoretical Research. In *Human Mental Workload*, 139- 183.
- Hart, S.G. dan Staveland, L.E., 1988, Development of NASA Task Load Index (TLX): Results of Empirical and Theoretical Research, NASA-Ames Research, California.
- Hartono, Jogiyanto. 2016. *Teori Portofolio dan Analisis Investasi*. Edisi Kesepuluh. Yogyakarta.
- Hasibuan, Malayu. 2012. "*Manajemen Sumber Daya Manusia*". Jakarta: PT Bumi Aksara.
- Hettiararchchi, H. A. ., & Jayarathna, S. M. D. . (2014). The effect of Employee Work Related Attitudes on Employee Job Performance: A Study of Tertiary and Vocational Education Sector in Sri Lanka. *IOSR Journal of Business and Management*. <https://doi.org/10.9790/487x-16447483>
- Iroegbu, Manasseh. (2014). Personality and Gender: A Meta - Analysis of Their Effects on Employee Stress. *University Of Uyo And Imo State Univeristy. G.J.I.S.S., Vol.3(6):63-65.*

- Iskandar, S. (2012). Pengaruh Beban Kerja, Motivasi Dan Kepuasan Kerja Terhadap Kinerja Pegawai Bank BJB Cabang Padalarang. *Jurnal Ekonomi, Bisnis & Entrepreneurship*.
- Iskandar, Sentot dan Gredi Granada Sembada. 2012. Pengaruh Beban Kerja, Motivasi dan Kepuasan Kerja Terhadap Kinerja Pegawai Bank BJB Cabang Padalarang. *Jurnal Ekonomi, Bisnis & Entrepreneurship* Vol. 6, No.1, April 2012, 26-38 ISSN 2443-0633.
- Kanten S. & Sadullah O. (2012) An empirical research on relationship quality of work life and work engagement. *Procedia - Social and Behavioral Science*, 62. 360-366.
- Kanten, Selahattin. Sadullah, Omer. (2012). An empirical research on relationship quality of work life and work engagement. *Procedia-Social and Behavioral Sciences*. 62(2012) 360-366.
- Koonts, Harold, Cyril O'Donnell, dan Heinz Wehrich. (1990). *Manajemen*. Alih Bahasa Antarikso. Erlangga: Jakarta.
- Kossen, Stan. (1993). *Aspek Manusiawi dalam Organisasi*. Erlangga. Jakarta.
- Ladebo, O. J., & Awotunde, J. M. (2007). Emotional and behavioral reactions to work overload: Self-efficacy as a moderator. *Current Research in Social Psychology*.
- Ladebo, O. J., & Awotunde, J. M. (2007). Emotional and behavioral reactions to work overload: Self-efficacy as a moderator. *Current Research in Social Psychology*.
- Lee M. Ozley dan Yudith S. Ball, 1992. Quality of Work Life: Initiating Success Full Effort in Labor Management Organization, *Jurnal Personnel Administrator*, 27 May 1982.
- Lia Amalia. (2017). Pengaruh Beban Kerja Dan Komitmen Terhadap Kinerja Dan Kepuasan Kerja Perawat Sebagai Variabel Intervening Pada Rumah Sakit Tabrani RAB Pekanbaru. *Jurnal Online Mahasiswa Fakultas Ekonomi Universitas Riau*. <https://doi.org/10.1017/CBO9781107415324.004>
- Lilian M. de Menezes (2012), Job satisfaction and quality management: an empirical analysis, *International Journal of Operations & Production Management*, Vol. 32 Issue: (3), pp.308-328.
- Lukiyana, dan Firman Davi Firdaus. 2017. "Pengaruh Beban Kerja Dan Lingkungan Kerja Terhadap Prestasi Kerja Karyawan Dengan Kepuasan Kerja Sebagai Variabel Intervening Di Bagian Gudang Pada Pt. Sarijasa 20 Transutama Jakarta". ISSN 1411-0830. Volume 14. Universitas 17 Agustus 1945 Jakarta.
- McCormick, Ernest J. dan Daniel R. Ilgen. 1980. *Industrial Psychology - 7th ed.* Prentice-Hall Inc.
- Mustapha, Noraani dan Ghee, W. Y. 2013. Examining Faculty Workload as Antecedent of Job Satisfaction among Academic Staff of Higher Public Education on Kelantan, Malaysia. *Journal Business and Management Horizons*, 1(1), pp: 10-16.
- Noor, S. M., & Abdullah, M. A. (2012). Quality Work Life among Factory Workers in Malaysia. *Procedia - Social and Behavioral Sciences*. <https://doi.org/10.1016/j.sbspro.2012.02.144>
- Pasaribu, Evan Karno dan Indrawati, Ayu Desi. 2016. Pengaruh Iklim Organisasi dan Kualitas Kehidupan Kerja terhadap Kinerja Pegawai Dinas Sosial Provinsi Bali. *e-Jurnal Manajemen UNUD*, Volume 5, Nomor 12, 2016.
- Putra, Nusa. 2012. *Metode Penelitian Kualitatif Pendidikan*. Jakarta : Rajagrafindo Persada.
- Robbins, P. Stephen. (2003). *Perilaku Organisasi*. Edisi Sembilan, Jilid 2. Edisi Bahasa Indonesia. PT Indeks Kelompok Gramedia, Jakarta.

- Robbins, P. Stephen. (2003). *Perilaku Organisasi*. Edisi Sembilan, Jilid 2. Edisi Bahasa Indonesia. PT Indeks Kelompok Gramedia, Jakarta.
- Robbins, Stephen P & Judge, Timothy A. 2013. *Organizational Behavior* Edition 15. New Jersey: Pearson Education.
- Sari, N. P. R., Bendesa, I. K. G., & Antara, M. (2019). The Influence of Quality of Work Life on Employees' Performance with Job Satisfaction and Work Motivation as Intervening Variables in Star-Rated Hotels in Ubud Tourism Area of Bali. *JOURNAL OF TOURISM AND HOSPITALITY MANAGEMENT*. <https://doi.org/10.15640/jthm.v7n1a8>
- Sewell, B. B., & Gilbert, C. (2015). What Makes Access Services Staff Happy? A Job Satisfaction Survey. *Journal of Access Services*, 12(3-4), 47-74. <https://doi.org/10.1080/15367967.2015.1061435>.
- Sutrisno. (2012). *Manajemen Keuangan Teori, Konsep dan Aplikasi* (8thed.). Yogyakarta: Ekonisia.
- Tsai, M.C., Cheng, C.C., dan Chang, Y.Y. (2010). Drivers of hospitality industry employees' job satisfaction, organizational commitment and job performance. *African Journal of Business Management*. Vol.4(18), pp.4118-4134
- Tsai, Y. C. & Yeh. J.C. (2010). Perceived risk of information security and privacy in online shopping: A study of environmentally sustainable products. *African Journal of Business Management* Vol. 4(18), pp. 4057-4066
- Wahyuni, R., & Irfani, H. (2019). Pengaruh Kompensasi Dan Beban Kerja Terhadap Kepuasan Kerja Dalam Meningkatkan Kinerja Karyawan Pt. Kepsindo Indra Utama Padang. *Jurnal PSYCHE 165 Fakultas Psikologi*.
- Wahyuni, R., Irfani, H., & Syahrina, I. A. (2019). Pengaruh Gaya Hidup Dan Literasi Keuangan Terhadap Perilaku Konsumtif Berbelanja Online Pada Ibu Rumah Tangga Di Kecamatan Lubuk Begalung Kota Padang. *Benefita*, 4(3), 548-559.
- Wibowo. 2009. *Manajemen Kinerja*. Jakarta: Raja Grafindo.

Copyright Holder :

© Wirastuti, S., Sudiarditha, I., Eryanto, H., Susono, J., & K, Amiruddin. (2020)

First Publication Right :

© IJoASER (International Journal on Advanced Science, Education, and Religion)

This article is under:

CC BY SA

The Effect of Work Load and Quality Work Life on the Performance of Police Members in Indonesian Police Headquarters Korlantas with Job Satisfaction as Intervening Variables

ORIGINALITY REPORT

22%

SIMILARITY INDEX

14%

INTERNET SOURCES

12%

PUBLICATIONS

11%

STUDENT PAPERS

PRIMARY SOURCES

1	Submitted to Ajou University Graduate School Student Paper	1%
2	erepository.uonbi.ac.ke Internet Source	1%
3	sites.google.com Internet Source	1%
4	Submitted to Liberty University Student Paper	1%
5	Wardhani Hakim, Adji Fernandes. "Moderation effect of organizational citizenship behavior on the performance of lecturers", Journal of Organizational Change Management, 2017 Publication	1%
6	repository.upi.edu Internet Source	1%

7

Internet Source

1 %

8

Cahyono Budy Santoso, Wayan Suparta, Edi Abdurachman, Agung Trisetyarso. "Jakarta Government Official Portal Acceptance Based On Technology Acceptance Model", 2020 International Conference on Information Technology Systems and Innovation (ICITSI), 2020

Publication

<1 %

9

Ngatimun Ngatimun, Titik Musriati, Judi Suharsono, Sulis Dyah Candra. "Occupational Stress as Mediator of Relationship between Workload, Emotional Intelligence and Teacher's Performance in Probolinggo Regency", Owner, 2020

Publication

<1 %

10

ijpsat.org
Internet Source

<1 %

11

Submitted to Colorado Technical University
Student Paper

<1 %

12

kemalapublisher.com
Internet Source

<1 %

13

acopen.umsida.ac.id
Internet Source

<1 %

14

Submitted to iGroup
Student Paper

<1 %

15

journal.bakrie.ac.id

Internet Source

<1 %

16

ojs.amhinternational.com

Internet Source

<1 %

17

Submitted to Universitas Pamulang

Student Paper

<1 %

18

irl.umsl.edu

Internet Source

<1 %

19

Fahmi Dwi Bahari, Muhamad Dezan Fiera, Herman Sofyandi. "The Influence of Leadership and Work Stress on Employee Performance at The Bandung City Regional Revenue Agency", Quantitative Economics and Management Studies, 2023

Publication

<1 %

20

Unifah Rosyidi, Sasmoko, Yasinta Indrianti, Sonya Rapinta Manalu, Ramot Lubis, Jurike Moniaga, Abu Yazid Bin Abu Bakar. "Designing Face Recognition Teacher Wellbeing Application that Optimizes Teacher's Quality Work Life", Journal of Physics: Conference Series, 2020

Publication

<1 %

- | | | |
|----|---|------|
| 21 | Submitted to University of Northumbria at Newcastle
Student Paper | <1 % |
| 22 | Mansi Rastogi, Santosh Rangnekar, Renu Rastogi. "Enhancing quality of work life in India: the role of workplace flexibility", Industrial and Commercial Training, 2018
Publication | <1 % |
| 23 | citeseerx.ist.psu.edu
Internet Source | <1 % |
| 24 | Heru Sulistyoyo, Sri Ayuni. "Competitive advantages of SMEs: The roles of innovation capability, entrepreneurial orientation, and social capital", Contaduría y Administración, 2019
Publication | <1 % |
| 25 | Li-Mei Hung, Jenna Tsai, Chun-Fu Chen. "Study on relationship among supervisors' leadership, job satisfaction and organizational commitment in medical industry", Journal of Statistics and Management Systems, 2011
Publication | <1 % |
| 26 | Mohammad Rabiul Basher Rubel, Daisy Mui Hung Kee. "High Commitment Compensation Practices and Employee Turnover Intention: Mediating Role of Job Satisfaction", | <1 % |

Mediterranean Journal of Social Sciences, 2015

Publication

-
- | | | |
|----|---|------|
| 27 | Submitted to University of Sheffield
Student Paper | <1 % |
|----|---|------|
-
- | | | |
|----|------------------------------------|------|
| 28 | ieomsociety.org
Internet Source | <1 % |
|----|------------------------------------|------|
-
- | | | |
|----|--|------|
| 29 | International Journal of Manpower, Volume
34, Issue 7 (2013-11-02)
Publication | <1 % |
|----|--|------|
-
- | | | |
|----|---|------|
| 30 | Submitted to Universitas Kristen Satya
Wacana
Student Paper | <1 % |
|----|---|------|
-
- | | | |
|----|--|------|
| 31 | www.repository.utl.pt
Internet Source | <1 % |
|----|--|------|
-
- | | | |
|----|--|------|
| 32 | Submitted to Universitas Riau
Student Paper | <1 % |
|----|--|------|
-
- | | | |
|----|--|------|
| 33 | repository.nida.ac.th
Internet Source | <1 % |
|----|--|------|
-
- | | | |
|----|--|------|
| 34 | repository.uinjkt.ac.id
Internet Source | <1 % |
|----|--|------|
-
- | | | |
|----|--|------|
| 35 | Saiful Ahmad Masrani, Mohd Rushidi Mohd
Amin, Vinesh Maran Sivakumaran, Shishi
Kumar Piaralal. "Important factors in
measuring learners' satisfaction and
continuance intention in open and distance | <1 % |
|----|--|------|

learning (ODL) institutions", Higher Education, Skills and Work-Based Learning, 2023

Publication

36	opac.mbu.ac.th Internet Source	<1 %
37	pinpdf.com Internet Source	<1 %
38	www.msaes.org Internet Source	<1 %
39	ejournal.nusamandiri.ac.id Internet Source	<1 %
40	filedump.se.rit.edu Internet Source	<1 %
41	karyailmiah.unisba.ac.id Internet Source	<1 %
42	researchersworld.com Internet Source	<1 %
43	Bowling, Ann. "Research Methods in Health", Research Methods in Health, 2023 Publication	<1 %
44	Moh. Naufal Fanani, Mirza Dwinanda Ilmawan, Aditya Narendra Wardhana. "Faktor- Faktor yang Mempengaruhi Kinerja Karyawan Pada Universitas Internasional Semen Indonesia (UISI)", MANAJERIAL, 2020 Publication	<1 %

45	e-journal.undikma.ac.id Internet Source	<1 %
46	Shibani Belwalkar, Veena Vohra, Ashish Pandey. "The relationship between workplace spirituality, job satisfaction and organizational citizenship behaviors – an empirical study", Social Responsibility Journal, 2018 Publication	<1 %
47	Submitted to Trident University International Student Paper	<1 %
48	repositori.uin-alauddin.ac.id Internet Source	<1 %
49	Kijpokin Kasemsap. "chapter 8 Examining the Roles of Job Satisfaction and Organizational Commitment in the Global Workplace", IGI Global, 2017 Publication	<1 %
50	Submitted to London School of Marketing Student Paper	<1 %
51	Long Kim, Pimlapas Pongsakornrunsilp, Siwarit Pongsakornrunsilp, Ngachonpam Horam, Vikas Kumar. "Key Determinants of Job Satisfaction among University Lecturers", Social Sciences, 2023 Publication	<1 %
52	Submitted to Trinity Christian Academy Student Paper	<1 %

53	Submitted to University of Hertfordshire Student Paper	<1 %
54	Submitted to University of Wales Swansea Student Paper	<1 %
55	Submitted to Institute of Graduate Studies, UiTM Student Paper	<1 %
56	Submitted to Morgan Park High School Student Paper	<1 %
57	Submitted to UIN Sunan Kalijaga Yogyakarta Student Paper	<1 %
58	Submitted to Universitas Respati Indonesia Student Paper	<1 %
59	Submitted to Universiti Brunei Darussalam Student Paper	<1 %
60	Submitted to University of Glamorgan Student Paper	<1 %
61	Nadia Tri Hastuti, Ugung Dwi Ario Wibowo. "Pengaruh Quality of Work Life (QWL) dan Organizational Commitment (OC) Terhadap Organizational Citizenship Behavior (OCB) pada Perawat Tetap", PSIMPHONI, 2020 Publication	<1 %
62	Eko Lulus Budiyanto. "Analysis of Factors Affecting Nurse Performance in DKT Hospital	<1 %

Kediri Hospital", Journal for Quality in Public Health, 2020

Publication

63

Submitted to President University

Student Paper

<1 %

64

Submitted to Ravenshaw University

Student Paper

<1 %

65

implanhelp.zendesk.com

Internet Source

<1 %

66

madoc.bib.uni-mannheim.de

Internet Source

<1 %

67

repository.unair.ac.id

Internet Source

<1 %

68

Abdul Rahman Kadir, Najmi Kamariah, Ariyanti Saleh. "The effect of role stress, job satisfaction, self-efficacy and nurses' adaptability on service quality in public hospitals of Wajo", International Journal of Quality and Service Sciences, 2017

Publication

<1 %

69

Hà My Nguyễn. "Application of the theory of planned behavior (TPB) to the analysis of the factors affecting the intention to accept circular economy models of Vietnam consumers", Pensoft Publishers, 2023

Publication

<1 %

70 Md. Alamgir Hossain, Nusrat Jahan, Minho Kim. "A multidimensional and hierarchical model of banking services and behavioral intentions of customers", International Journal of Emerging Markets, 2021
Publication <1 %

71 Osama Rababah, Bassam Alqudah. "Building a Trust Model for Social Network", Modern Applied Science, 2018
Publication <1 %

72 Submitted to Universitas Nasional
Student Paper <1 %

73 Submitted to Universiti Sains Islam Malaysia
Student Paper <1 %

74 ejournal.unida.gontor.ac.id
Internet Source <1 %

75 jurnal.stiebankbpdjateng.ac.id
Internet Source <1 %

76 Eric Lambert, Nancy Lynne Hogan, Shannon Barton, Alan Clarke. "The impact of instrumental communication and integration on correctional staff", The Justice Professional, 2002
Publication <1 %

77 Latif Al-Hakim, Yuping Zhang, Jingfen Jin, Nick Sevdalis. "The effect of psychological <1 %

meaningfulness and perceived Organisational support on the relationship between nursing workload and job satisfaction: A prospective, cross-sectional investigation", International Journal of Nursing Studies, 2022

Publication

78

Submitted to Rivers State University of Science & Technology

Student Paper

<1 %

79

Soonhee Kim. "Participative Management and Job Satisfaction: Lessons for Management Leadership", Public Administration Review, 2002

Publication

<1 %

80

Submitted to University of Basrah - College of Science

Student Paper

<1 %

81

Submitted to University of Bedfordshire

Student Paper

<1 %

82

journal.uniga.ac.id

Internet Source

<1 %

83

kc.umn.ac.id

Internet Source

<1 %

84

ukzn-dspace.ukzn.ac.za

Internet Source

<1 %

85

www.academicjournals.org

Internet Source

<1 %

86

www.poltekkespalu.ac.id

Internet Source

<1 %

87

Ghadah AlMugren, Haya Zedan. "Quality of Work Life of Magnetic Resonance Imaging Technologists: A Cross-Sectional Study", Research Square Platform LLC, 2022

Publication

<1 %

88

Halil Nadiri, Kashif Hussain, Erdoğan Haktan Ekiz, Şamil Erdoğan. "An investigation on the factors influencing passengers' loyalty in the North Cyprus national airline", The TQM Journal, 2008

Publication

<1 %

89

Mariko Tanigaki. "Chapter 2 The Adoption of Japan's Experience in Asia: A Case Study of the Police System of Indonesia", Springer Science and Business Media LLC, 2022

Publication

<1 %

90

Mohand Tuffaha. "Adoption Factors of Artificial intelligence in Human Resource Management", Universitat Politecnica de Valencia, 2022

Publication

<1 %

91

Ni Luh Adisti Abiyoga Wulandari, Ni Komang Sumadi, Ni Nyoman Adityarini Abiyoga Vena Swara. "Pengaruh Self Esteem, Empowerment, dan Team Work Terhadap

<1 %

Kepuasan Kerja Karyawan Pada PT. BPR TISH di Gianyar", WIDYA MANAJEMEN, 2020

Publication

92

Remus Ilies, Timothy A Judge. "An experience-sampling measure of job satisfaction and its relationships with affectivity, mood at work, job beliefs, and general job satisfaction", European Journal of Work and Organizational Psychology, 2004

Publication

<1 %

93

Agus Ariyanto, Kandi Sofia Senastri Dahlan, Rustono Farady Marta, Engliana, Amin Aminudin. "Employee Career Management for Sustainable HR Planning, Training, and Performance Measurement", Walter de Gruyter GmbH, 2020

Publication

<1 %

Exclude quotes Off

Exclude matches Off

Exclude bibliography On